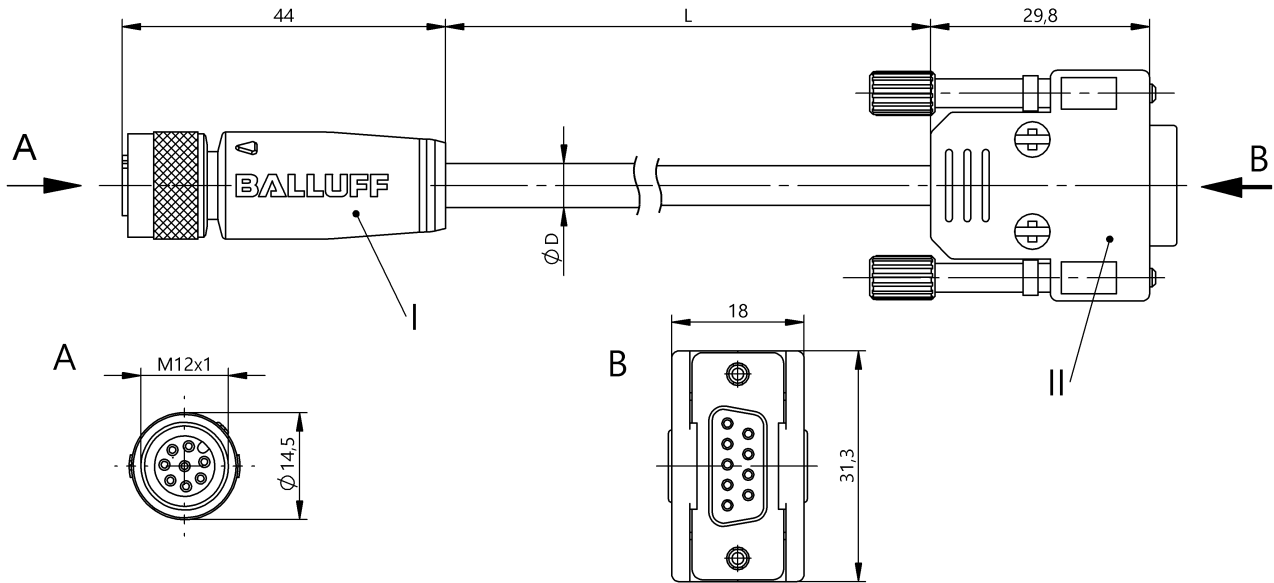


Double-Ended Cordsets
BCC M418-D279-BF-715-PS0825-020
 Order Code: BCC0H0U

BALLUFF



Basic features

Approval/Conformity	CE WEEE
---------------------	------------

Electrical connection

Bending radius min., fixed cable	5 x D
Bending radius min., flexible cable	10 x D
Cable	PUR Shielded black, 2 m, drag chain compatible
Cable diameter D	5.70 mm ±0.20 mm
Cable, bending cycles min.	2 mil.
Conductor cross-section	0.25 mm ²
Connection 1	M12x1-Female, straight, 8-pin, A-coded
Connection 2	D-Sub-Female, straight, 9-pin
Number of conductors	7
System	Molded/assembled

Electrical data

Operating voltage Ub	30 VDC / 30 VAC
Rated current (40 °C)	3.0 A

Environmental conditions

Cable temperature, drag chain	-25...60 °C
Cable temperature, fixed routing	-50...80 °C
Cable temperature, flexible routing	-25...80 °C
IP rating	IP68/IP20

Material

Cable jacket material, note	Shielded
Cable jacket, material	PUR
Cable shield	Copper braid, tin-plated
Material contact carrier	PUR/PBT
Material contacts	Bronze/Brass
Material cover nut	Die-cast zinc
Material grip	PUR/ABS metallic

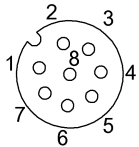
Mechanical data

Acceleration max., drag chain	5 m/s ²
Cable jacket, color	black
Cable length L	2.00 m
Cable properties	drag chain compatible
Horizontal travel permitted, drag chain	5 m
Tightening torque pigtail	0.6 Nm/-
Traverse speed max., drag chain	200 m/min
Vertical travel permitted, drag chain	2 m

Remarks

Cable construction acc. to UL-AWM Style 20549
 Halogen-free per DIN VDE 0472 Part 815
 Silicone-free
 Flame resistance per UL FT2
 Enclosure rating per IEC 60529 or ISO 20653, only in screwed state with the associated mating piece.

Connector Drawings



I	II
PIN 1: not used	PIN 1: not used
PIN 2: not used	PIN 2: blue
PIN 3: not used	PIN 3: pink
PIN 4: not used	PIN 4: not used
PIN 5: not used	PIN 5: Shield
PIN 6: pink	PIN 6: not used
PIN 7: blue	PIN 7: not used
PIN 8: Shield	PIN 8: not used
	PIN 9: not used

Wiring Diagrams

